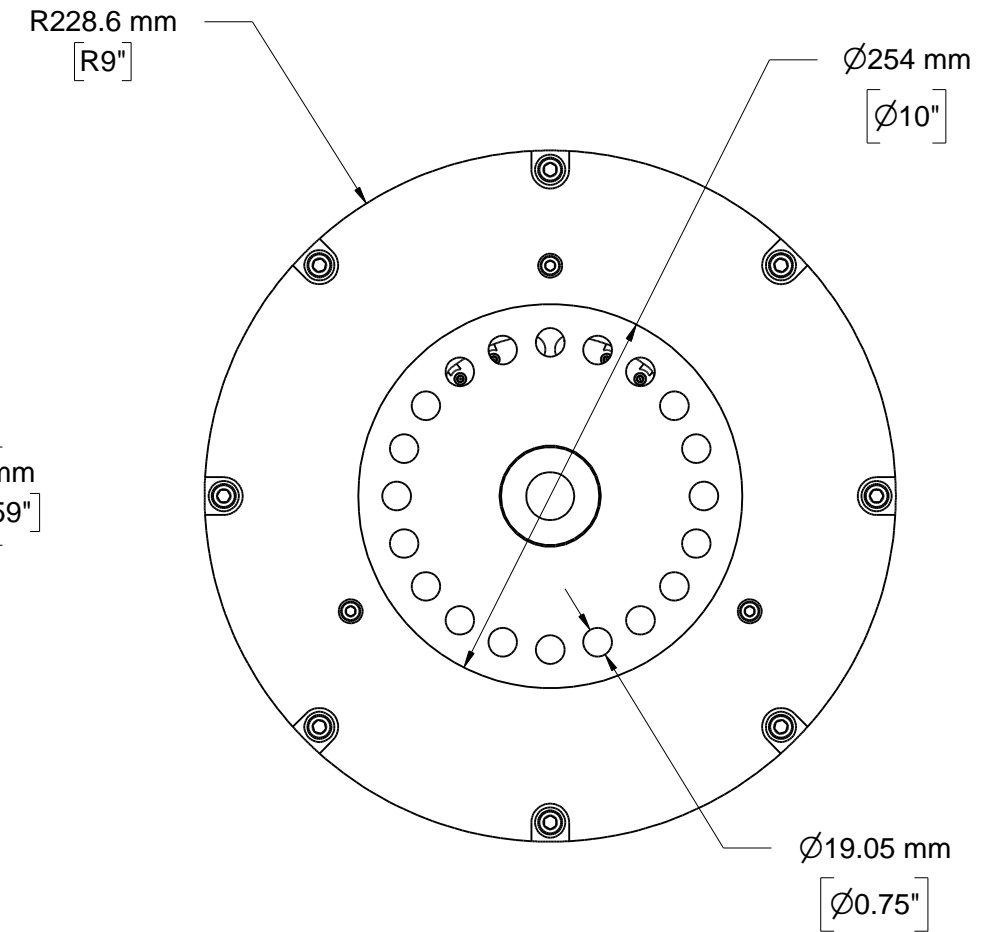
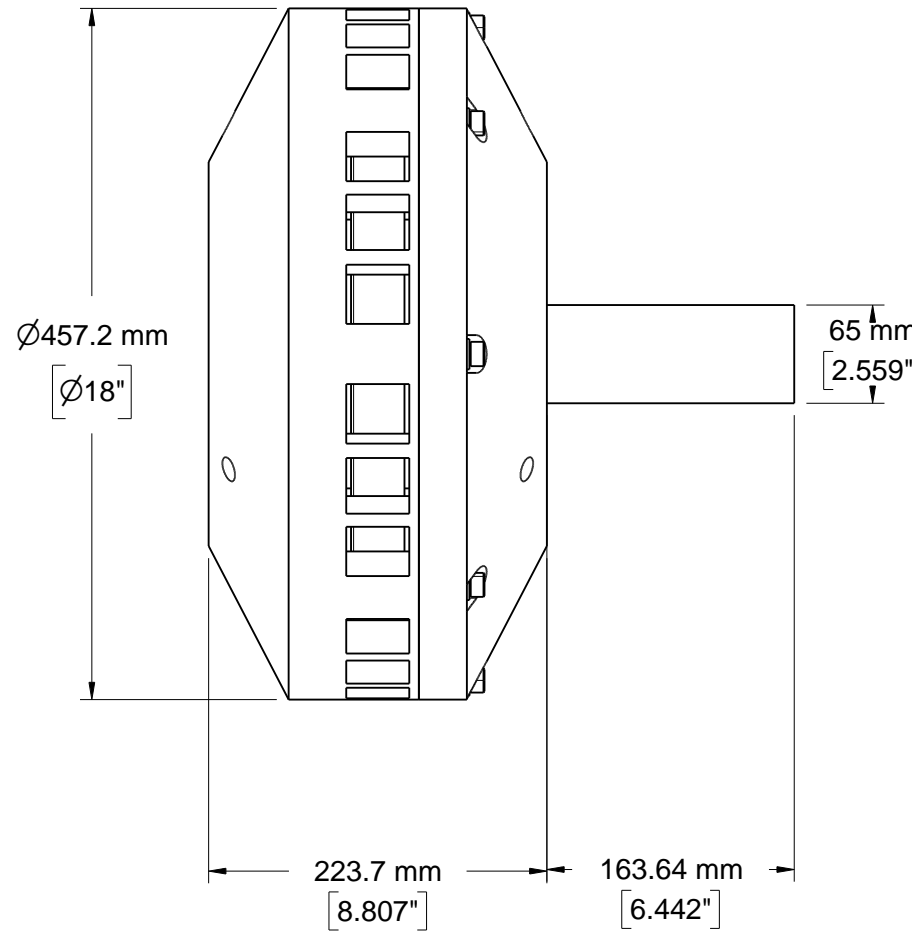
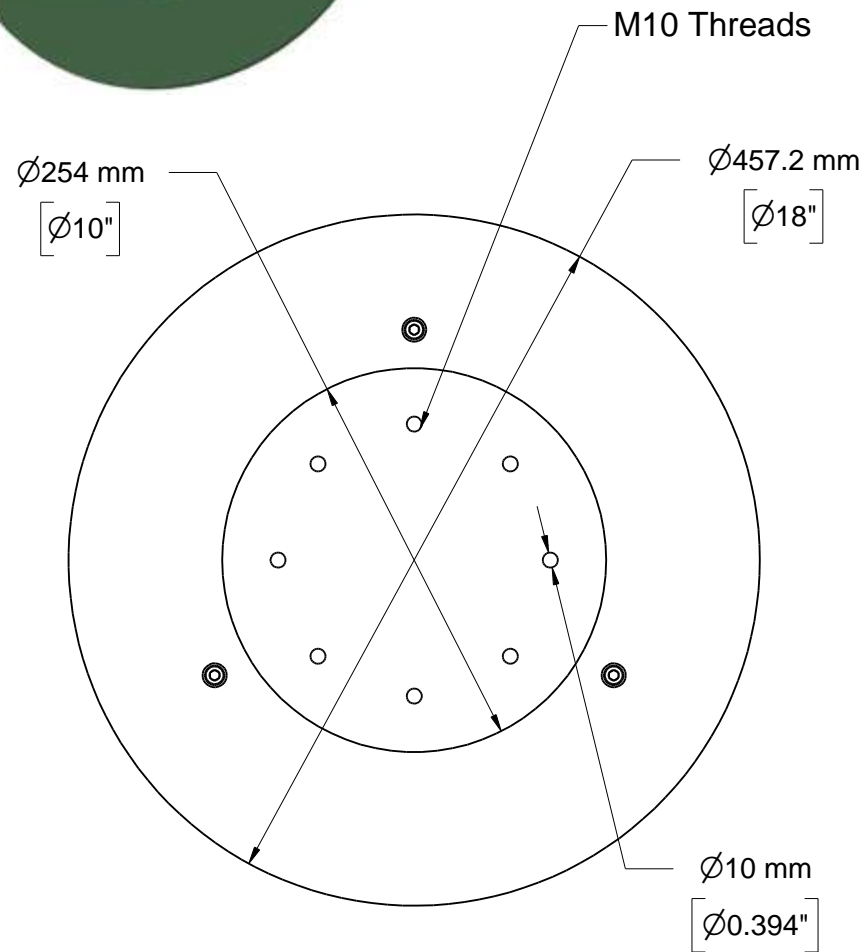


REVISIONS				
ZONE	REV	DESCRIPTION	DATE	APPROVED

**Scaled Energy LLC**  
**AFPMG 15/18 SS**  
**32 Mag - 24 Pole**



Copyright 2014  
 by Helmuth Geiser / Scaled Energy LLC  
 All Rights Reserved

SIZE <b>B</b>	FSCM NO.	DWG NO. 15_18 Single Stator 32M 24P	REV
SCALE <b>1 : 5</b>	SHEET		