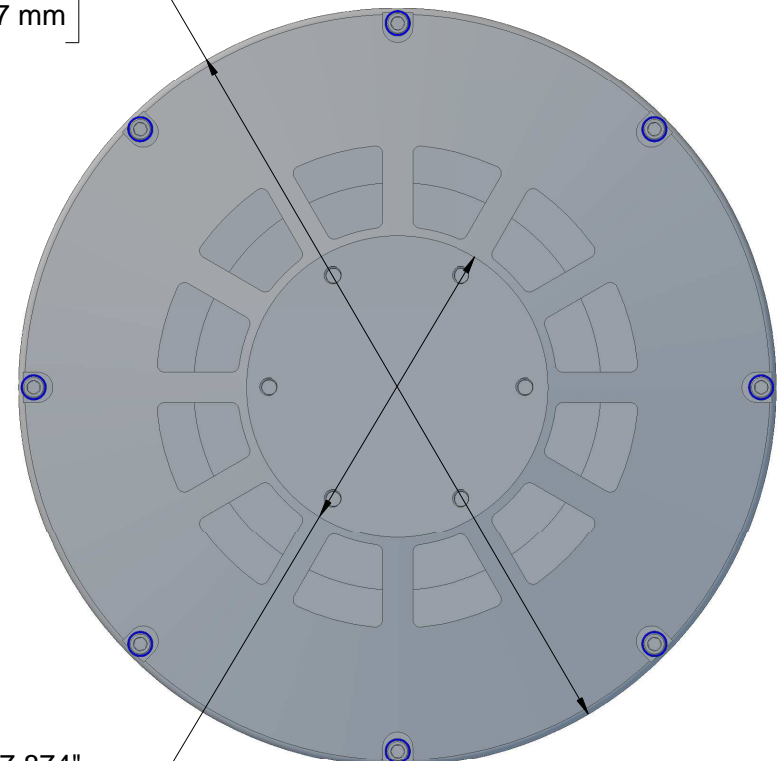


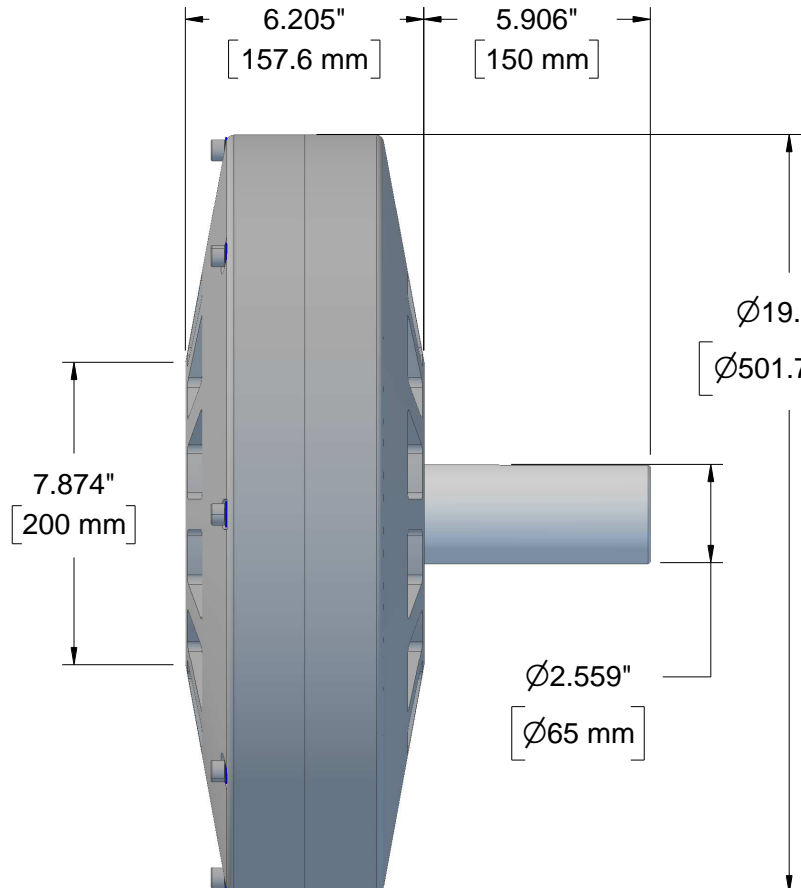


REVISIONS				
ZONE	REV	DESCRIPTION	DATE	APPROVED
"Black Oxide 01" Axial Flux PMG				

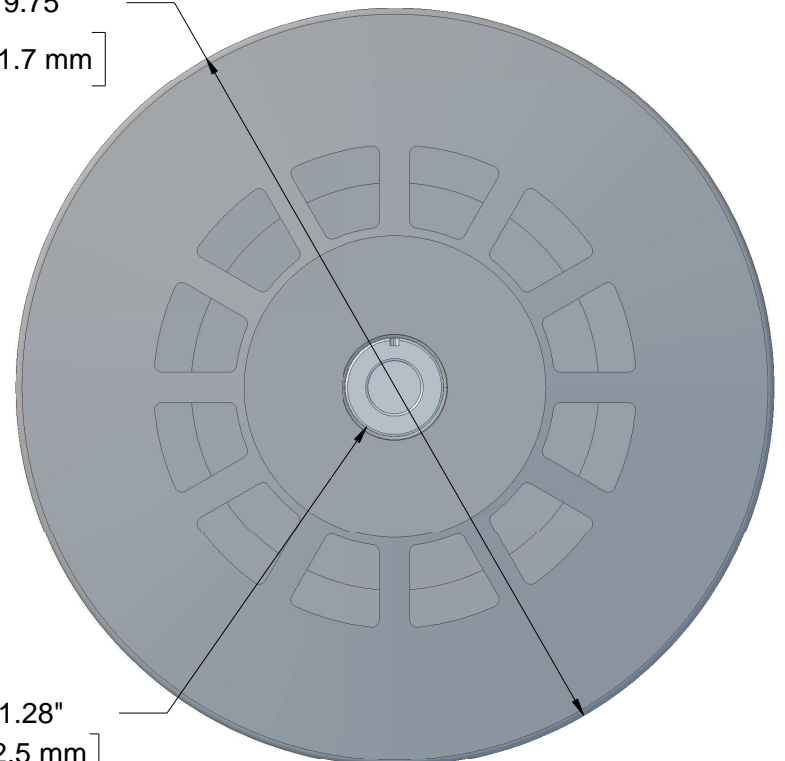
Ø19.75"
[Ø501.7 mm]



Ø7.874"
[Ø200 mm]



Ø19.75"
[Ø501.7 mm]



Ø19.75"
[Ø501.7 mm]

R1.28"
[R32.5 mm]

Total Generator Weight: 56.0 kg / ~123.5 lb

Technical Data:

3-phase "wild" AC

Output @ : 400RPM 300RPM 200RPM 100RPM

Rectified DCV : 458V 343V 229V 114.5V

Max. continuous output : 6,870 W

**Copyright 2014
by
Helmuth A. Geiser & Scaled Energy LLC
all rights reserved**

SIZE B	FSCM NO.	DWG NO. Black Oxide AFPMG 01	REV
SCALE	SHEET		