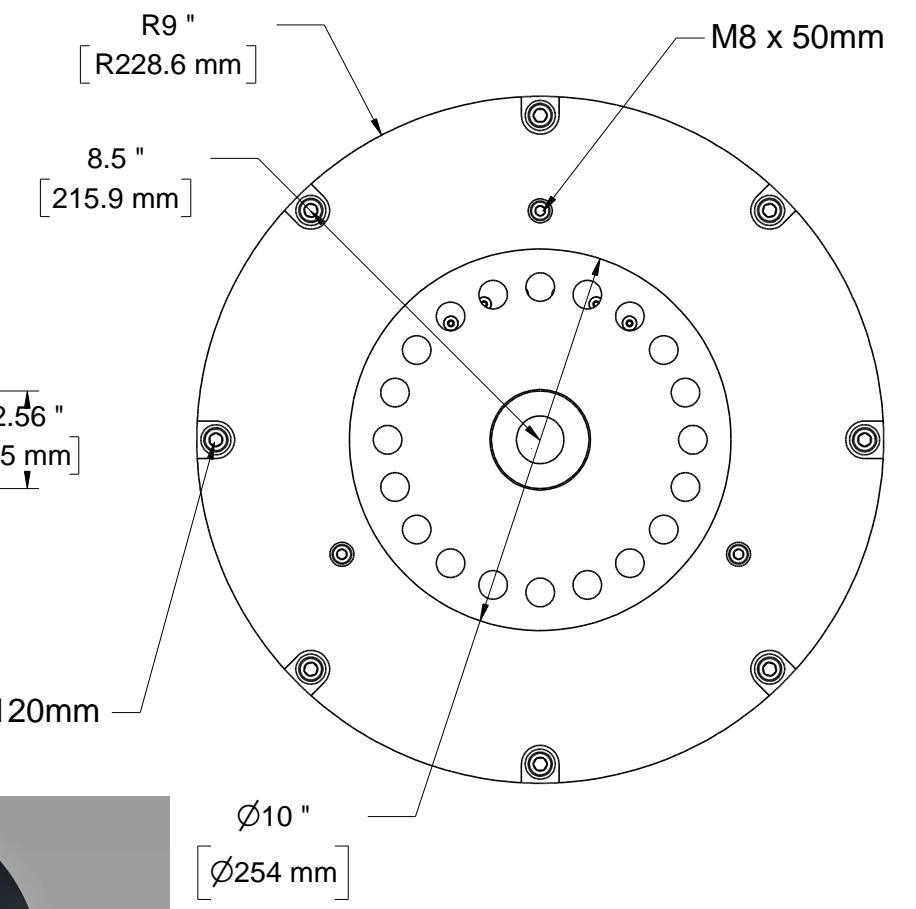
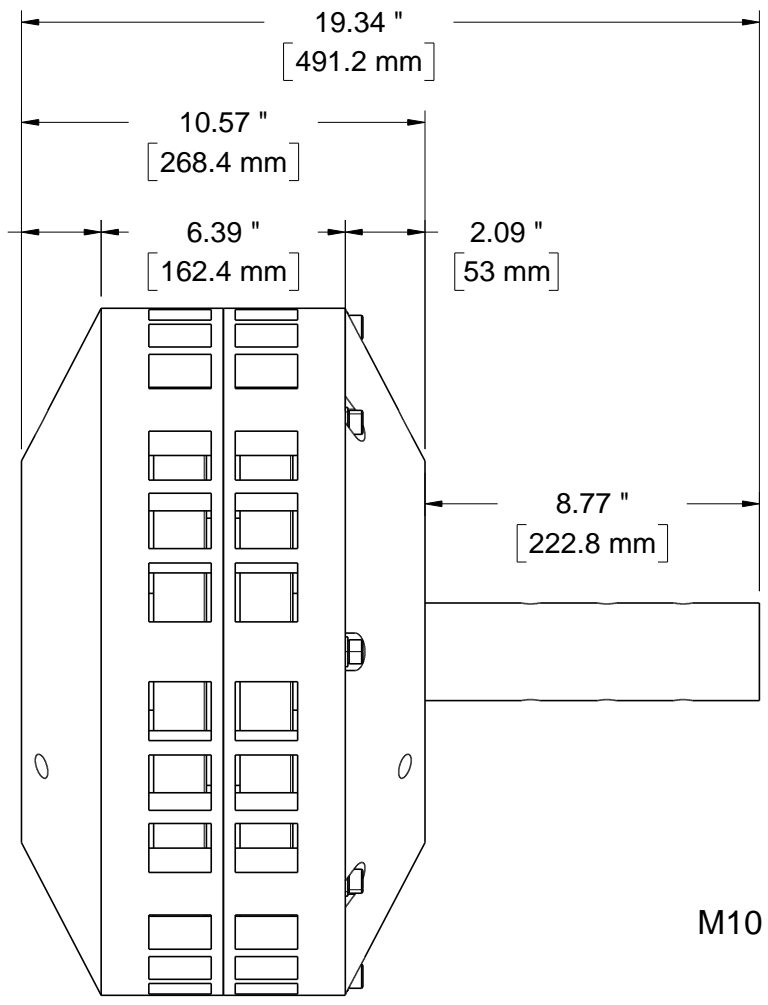
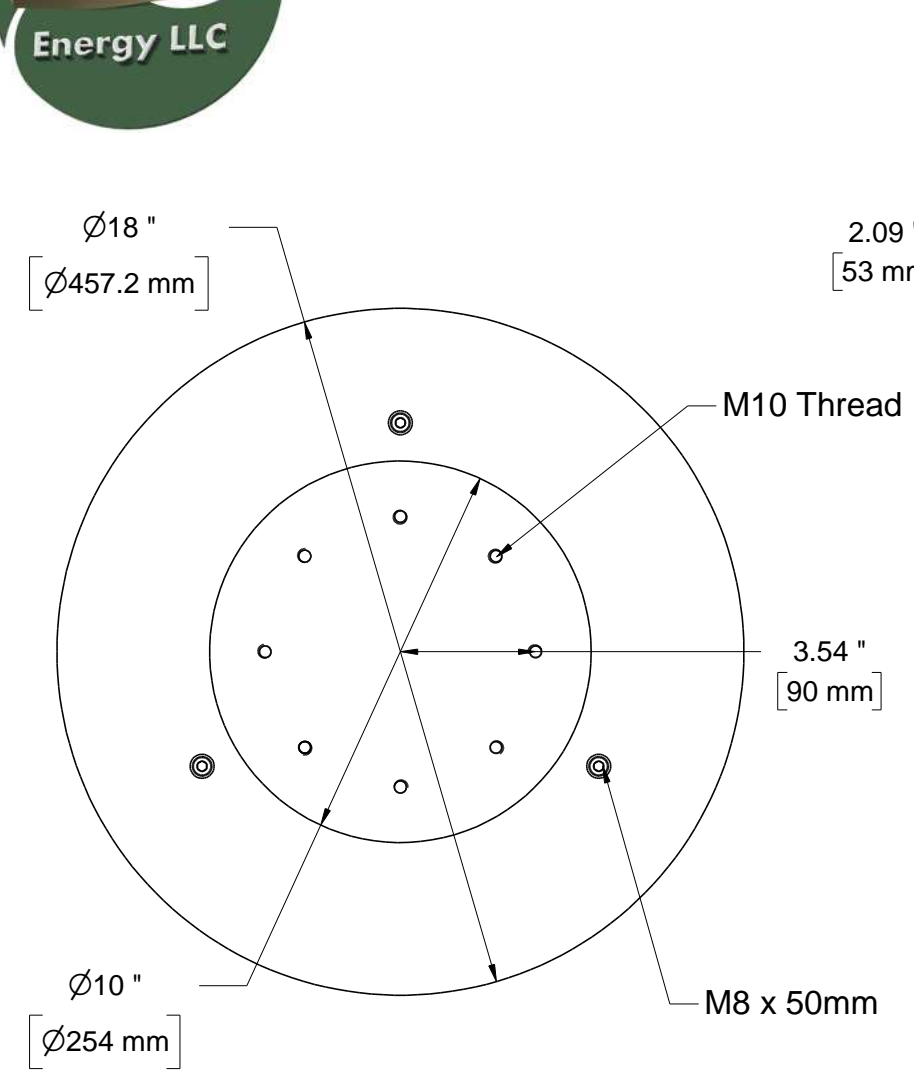




REVISIONS				
ZONE	REV	DESCRIPTION	DATE	APPROVED

Scaled Energy LLC
15/18 AFPMG S2 48P



Total Generator Weight : 141.0 kG / 311 lb

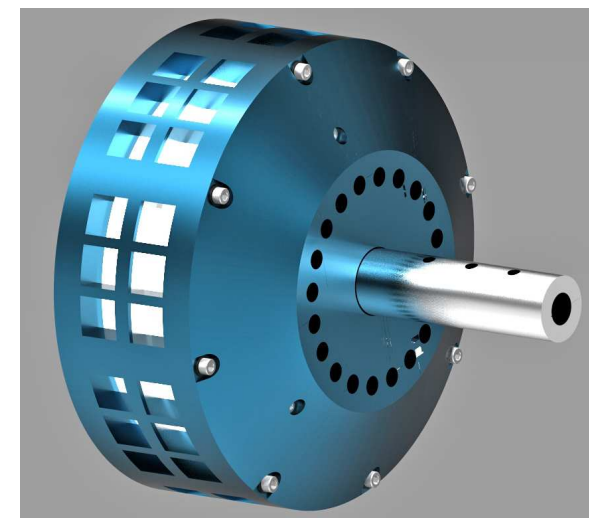
Technical Data:

3-phase "wild" AC

Output @ 400RPM 300RPM 200RPM 150RPM 100RPM

Rectified Voltage : 570 428 285 214 142

Max. continuous output : 12.0 kW - Max. short term (5minutes) output : 16 kW



Copyright 2013
Scaled Energy LLC / Helmuth A. Geiser
All Rights Reserved

SIZE B	FSCM NO.	DWG NO. 15/18 AFPMG 2S 48P	REV
SCALE 1:5	SHEET		